

## 6400 1/16 DIN Profiler Controller



- Free-form programming
- Delayed start
- Guaranteed soak
- Power fail recovery
- Event/Profile active outputs
- Remote start
- Modbus comms



The 6400 is one of the most powerful profilers of its size available. It features our proven RaPID fuzzy logic control algorithm, for faster, more accurate control. Four programs can be held in memory.

### Specification

#### Features

Control Types	PID with Pre-tune and RaPID fuzzy logic, or Manual Tuning. Heat or Heat/Cool, applications
Auto/Manual	Selectable from front panel, with bumpless transfer
Output Configuration	Up to 3 total. Max 2 for control (Heat & Cool), max 2 for Alarms, max 1 for retransmit PV or SP
Alarm 1 & 2 Types	Process high, process low, setpoint deviation and band
Human Interface	4 buttons, 10mm & 8mm high LED's, plus run-hold, tune, event & profile/control status LED's
PC Configuration	Off-line configuration & profile editing via config socket (comms option not required)

#### Profiles

Number of Programs	4, each with 16 free-form segments (Ramp/Dwell/End). Max segment length 99 hours 59 minutes
Delayed Start	Max 99 hours 59mins delay from initiation to program start
Guaranteed Soak	Holds program if PV is outside of specified hold band during dwell segments.
Program Cycles	1 to 9999 or infinite (continuously re-starts program at end)
Ramp Rate Definition	Either ramp rate, or time to final setpoint
Power Loss Recovery	Hot (continue profile from point of power fail) or Cold (end profile and return to controller mode)

#### Input

Thermocouple	J, K, R, S, T, B, L, & N.
RTD	3 Wire PT100, 50Ω per lead maximum (balanced)
DC Linear	0-20/4-20mA, 0-50/10-50mV, 0-5/1-5/0-10/2-10V. Scaleable -1999 to 9999, dec point available
Impedance	>100MΩ for Thermocouple and mV ranges, 47KΩ for V ranges and 4.7Ω for mA ranges
Accuracy	+/- 0.25% of input span +/- 1 LSD (T/C CJC better than 0.7°C)
Sampling	4 per second, 14 bit resolution approximately
Sensor Break Detection	<2 secs (except zero based DC ranges), control O/P's turn off, *high alarms activate (*low for RTD inputs)

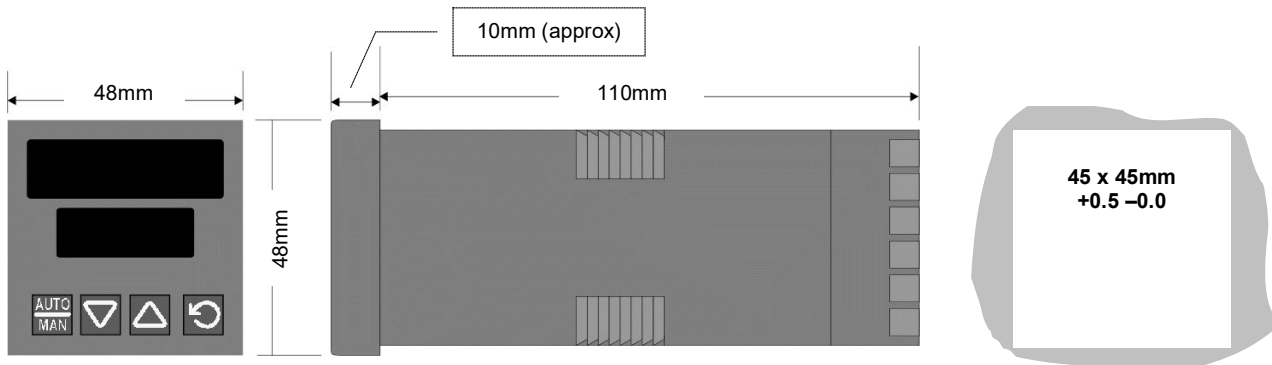
#### Outputs & Options

Control/Alarm/Event Relay	Contacts SPDT 2Amp resistive at 240V AC, >500,000 operations
DC for SSR	Drive capability >4.2V DC in 1KΩ minimum (10V 500Ω version available)
DC Control/Retransmit	0-20/4-20mA into 500Ω max, 0-10/0-5V into 500Ω min. Accuracy, Control OP +/- 0.5%, Retransmit +/- 0.25%
Solid State (Triac)	0.01 to 1 Amp AC 20 to 280V, 47 to 63Hz
Remote Run-Hold	Volt free or TTL input (Hold = -0.6 to 0.8V or contact open, Run = 2 to 24V or contact close)
Communications	2 Wire RS485, 1200 to 9600 Baud, Modbus protocol

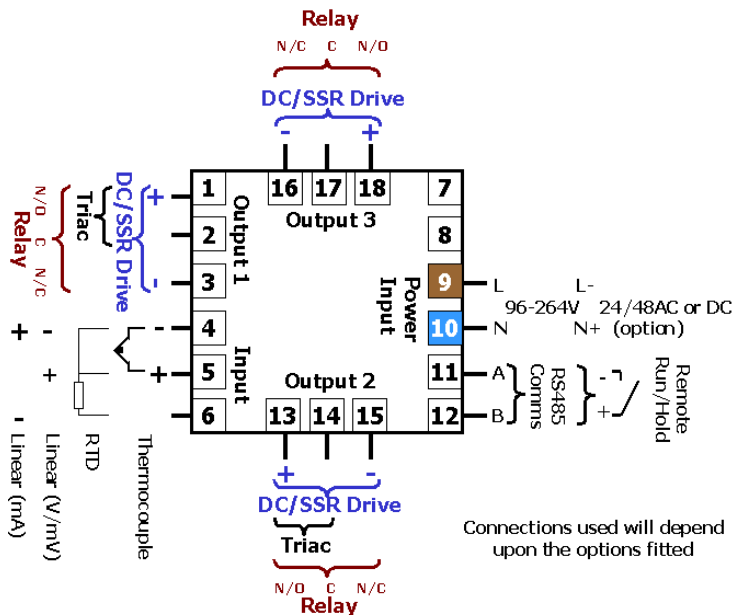
## Operating and Environmental

Temperature & RH	0 to 55°C (-20 to 80°C storage), 20% to 95%RH non-condensing
Power Supply	100 to 240V 50/60Hz 7.5VA (optional 20 to 50V AC 7.5VA/22 to 65V DC 4W)
Front Panel Protection	IEC IP66
Approvals and Certification	CE, UL & ULc

## Dimensions



## Connection Details



## Field Reconfiguration

### Input

Configurable to any type, no extra parts required

### Output 1

Type is fixed as ordered. Either Relay/SSR (selectable), Triac or DC Linear (selectable for mV, mA, Volts)

### Output 2

Configurable as Cool O/P or Alarm, Event or Profile Active via plug-in Relay, Cool O/P or Alarm via plug-in SSR module, or Cool O/P only via Triac or DC Linear modules

### Output 3

Configurable as Alarm, Event or Profile Active via plug-in Relay, Alarm via plug-in SSR module, or retransmit using DC Linear module

### Option Slot

Configurable as RS485 comms or remote run-hold, via plug-in modules

## Ordering Code

**N6400** - **X** - **X** - **X** - **X** - **XX** - **XXX**

3 Wire RTD or DC mV	1
Thermocouple	2
DC mA	3
DC Voltage	4

Relay Control	1
DC for SSR Control	2
DC 0-10V Control	3
DC 0-20mA Control	4
DC 0-5V SP Control	5
DC 4-20mA Control	7
	8

Not fitted	0
Relay Ctrl, Alarm 2, Event or	1
DC for SSR Control or Alarm 2	2
DC 0-10V Control	3
DC 0-20mA Control	4
DC 0-5V Control	5
DC 4-20mA Control	7
Triac Control	8

Blank	Special variant not required
S14	10V DC SSR outputs (requires SSR output codes)

00	No Options/100-240V AC line supply
02	No Options/24-48V AC or DC line supply
10	RS485 Comms/100-240V AC line supply
12	RS485 Comms/24-48V AC or DC line supply
30	Remote Run-Hold/100-240V AC line supply
32	Remote Run-Hold/24-48V AC/DC line supply

0	Not fitted
1	Relay Ctrl, Alarm 1, Event or Profile Active
2	DC for SSR Alarm 1 output
3	DC 0-10V Re-Transmit PV or SP
4	DC 0-20mA Re-Transmit PV or SP
5	DC 0-5V Re-Transmit PV or SP
7	DC 4-20mA Re-Transmit PV or SP

## West Control Solutions – International Sales and Support

### CHINA

Danaher Setra-ICG (Tianjin Co., Ltd.  
No.28 Wei 5 Road,  
The Micro-Electronic Industry Park TEDA,  
Xiqing District, Tianjin 300385  
Tel: +86 22 8398 8098 Fax: +86 22 8398 8099  
Sales Hotline: 400 666 1802  
e-mail: tc.sales@danaher.com

### GERMANY

PMA Prozeß- und, Maschinen- Automation GmbH,  
Miramstraße 8, 7D -34123 Kassel  
Tel: +49 (561) 505-1307 Fax: +49 (561) 505-1710  
e-mail: mailbox@pma-online.de

### USA

West Control Solutions  
1675 Delany Road, Gurnee, IL 60031-1282  
Tel: 800 866 6659 Fax: 847 782 5223  
e-mail: custserv.west@dancon.com

### FRANCE

Hengstler SA, 69 Rue de la Belle Etoile  
Bat D - ZI Paris Nord II, 95700, Roissy  
Tel: +33 (1) 77 80 90 40 Fax:+33 (1) 77 80 90 50  
e-mail: info@westinstruments.com

### UNITED KINGDOM

West Control Solutions  
The Hyde Business Park, Brighton, East Sussex, BN2 4JU  
Tel: +44 (0)1273 606271 Fax: +44 (0)1273 609990  
e-mail: info@westinstruments.com

Brochures and datasheets are available for the complete range of West Control Solutions products, contact your local sales office or visit our website at: [www.west-cs.com](http://www.west-cs.com) for more information.

Specifications are subject to change without notice, as a result of continual development and improvement, E&OE